

# Combined Machines for Plates

Green Project is capable to supply combined machines for plates including paint marking on top / bottom surface of the plate, pin punching on the left side / right side surface of the plate and Ink Jet marking on plate left / right side edge for single / slitted plates.

The detail informations of each subsystem are available in the the corresponding application data sheets (Tema Multi for Plates, PUMA Speedy for Plates, Ink Jet for Plates Side Edge).

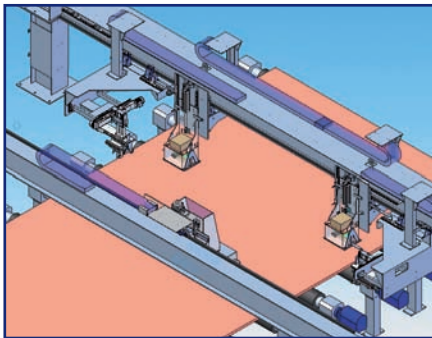
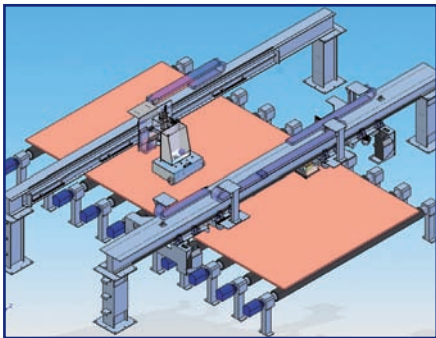
## Main Marking Features

- Simultaneous static paint marking, pin punching, side edge marking for single or slitted plates in a very short time



**Functional features**

Flexible automation functions assure precise positioning of the markings, management of Mother / Daughter plates, management of buffers of Data in order to prepare / manage marking data Integrated HMI (based on standard SCADA) for management of production data and diagnostic informations. Host connection (Ethernet, Profibus or other common industrial fieldbus).



Certif. n° 1235/98



Certif. n° EMS-1724/S

