

# PUMA MONO / PUMA SPEEDY FOR BARS & BEAM PROFILES

---

This system is used for static punching of metal bars and beam profiles by our PUMA Mono or PUMA Speedy head assuring a cost effective solution for high quality marking at high speed. Different configurations are available to comply with Customer specifications and installation lay out.

## Main Marking Features

Cold and Hot application up to 950 °C

Marking position: on section or side surface

Marking orientation: crosswise or lengthwise

Static - product stopped under (or aside) marking machine

Symbols: letters, numbers, special characters (logos), Data Matrix code

Height of symbols from 3 mm to 25 mm, in one or more lines.

Font based on dot matrix: 7, 9, 12 or 16 dots in height or graphic fonts

## System configuration

Machine structure (with one or more marking heads) available in various configuration:

- Bridge with one or more carriages to be placed across the line
- Jib structure to be placed aside the line

One or more PUMA Speedy or PUMA Mono marking heads

Pneumatic panel

Power and control cabinet

Control desk with HMI

For hot applications, the system is equipped with a kit for thermal protection



Green Project

### Functional features :

Flexible automation functions assure precise positioning of the markings, different dot matrices, different dot matrices, penetration force adapted to material hardness.

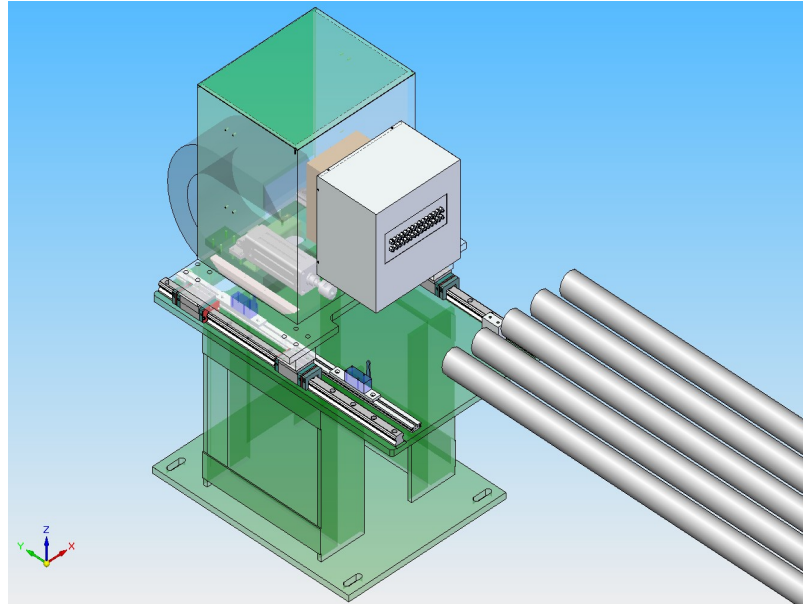
Many parameters can be adjusted / selected by the operator via Control Unit, f.i.:

Font selection

Different pin selectable

Characters dimension (width, compression, height)

Host connection (Ethernet, Profibus or other common industrial fieldbus)



### Optional functions :

Tools for editing fonts and modifying parameters

Marking a *Data Matrix* code readable by a standard reader (combined marking / reading function to achieve automatic tracking of bars)

Bright white line (produced by a TEMA Mono unit) that highlights the punched area