

# Puma Speedy for Pipes

Green Project PUMA Speedy is used for pin punching pipes in finishing lines. Different configurations are available to comply with Customer specifications and installation lay out. The system assures a reliable and cost effective solution for high quality marking at high marking speed.

## Main Marking Features

- Static (pipe stopped under marking machine)
- Marking position: on external surface
- Symbols: letters, numbers, special characters (logos), Data Matrix code
- Height of symbols from 3 mm to 25 mm, in one or more lines
- Font based on dot matrix: 7, 9, 12 or 16 dots in height



**System configuration**

- The PUMA Speedy marking head is installed on a structure, being a cantilevered beam (fixed or swivelling) or a bridge over the pipe conveyor line
- One or more PUMA Speedy marking heads
- Pneumatic panel
- Power and control cabinet
- Control desk with HMI
- For hot applications, the system is equipped with a kit for thermal protection

**Functional features**

Flexible automation functions assure precise positioning of the markings, different dot matrices, top quality of the marking automatically adapted to material hardness.

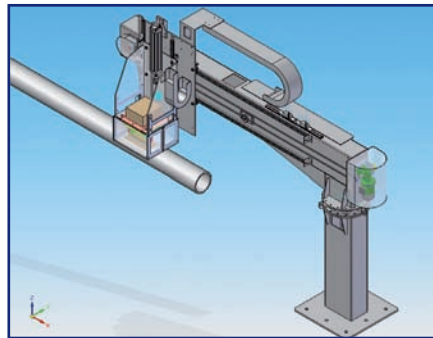
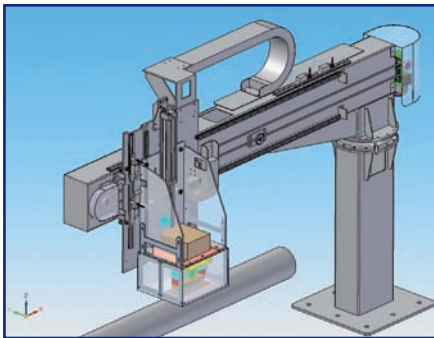
Many parameters can be adjusted / selected by the operator via Control Unit, f.i.:

- Font selection
- Characters dimension (width, compression, height)

Host connection (Ethernet, Profibus or other common industrial fieldbus)

**Optional function**

- Tools for editing fonts and modifying parameters
- Marking a Data Matrix code readable by a standard reader (combined marking / reading function to achieve automatic tracking of plates)
- Bright white line (produced by a TEMA Mono unit) that highlights the punched area



Certif. n° 1235/98



Certif. n° EMS-1724/S

