

# Robot Tema Mono for Pipes

Green Project offers a robot solution for marking pipes using as spraying device a TEMA Mono unit, whose opening synchronised with the robot movement produces characters defined by a continuous line (like written by a human hand), very well readable also from distance.

Robot machines are more flexible than standard machines as they can be easily updated / modified in order to satisfy new marking requirements.

Robot markers are very reliable and flexible machines as they can be easily updated / modified in order to satisfy new marking requirements.

## Main Marking Features

- Cold and Hot application up to 750 °C
- Static (pipe stopped under marking machine)
- Marking position: along the pipe axis
- Symbols: letters, numbers, special characters (logos), Data Matrix code
- Height of symbols from 28 mm to 200 mm, in one or more lines
- Standard and OCR fonts, based on a continuous line, are available



**System configuration**

- Six axes Robot
- One TEMA Mono marking head
- Paint preparation cabinet (including circuit for paint recirculation)
- Pneumatic cabinet
- Automatic cleaning system
- Power and control cabinet
- Work cell with safety fence
- Control desk with HMI
- For hot applications, the system is equipped with a kit for thermal protection

**Functional features**

Automatic adapting to different pipe dimension

Many parameters can be adjusted / selected by the operator via Control Unit, f.i.:

- Characters dimension (width, compression, height)
- Host connection (Ethernet, Profibus or other common industrial fieldbus)

**Optional function**

- Automatic detection of pipe position
- Marking a Data Matrix code readable by a standard reader (combined marking / reading function to achieve automatic tracking of coils)

**Paint / Ink features**

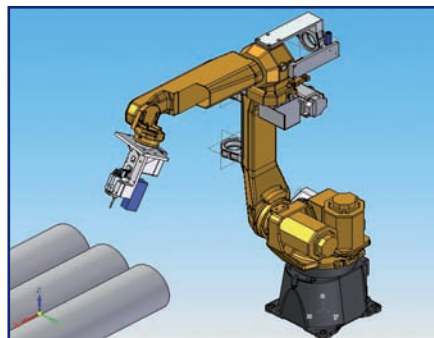
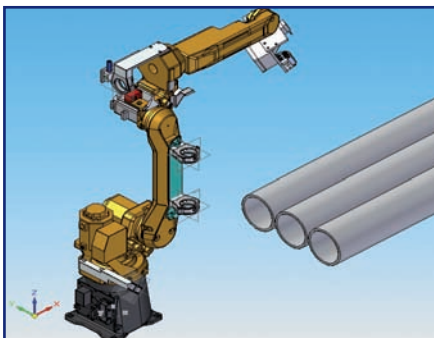
**Type:**

cold: paint (solvent or alcohol base), ink (MEK or alcohol base)

hot: paint (solvent base)

**Colour:** white (other colours available for cold applications)

**Consumption:** approx. 10 g for 1000 dots (about 60 chars 70mm high)



Certif. n° 1235/98



Certif. n° EMS-1724/S

