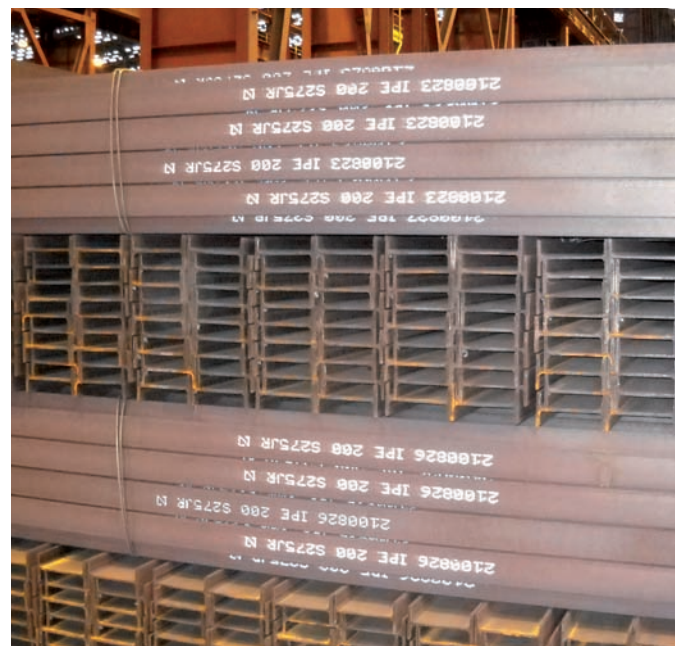


# Tema Ink Jet for Beam Profiles

This system marks characters on the surface of hot products (typically blooms, billets and beam blanks), defined by a bright, white line ("handwritten" type) obtained spraying a special metal powder by a pistol handled by a six axes robot. The markings are very well readable, even in presence of irregular surfaces, also from distance. The system assures excellent reliability and close to zero maintenance and operational costs.

## Main Marking Features

- Cold application up to 150°C
- Marking position: lengthwise, on top or side surface
- Dynamic marking at high speed
- Symbols: letters, numbers, special characters (logos)
- Height of symbols from 5 mm to 100 mm, in one or more lines
- Font based on dot matrix: 7, 9, 12 or 16 dots in height
- Marking speed: up to 360 m/min.



**System configuration**

- Machine structure (with one or more marking heads) available in various configuration:
  - Bridge with one or more carriages to be placed across the line
  - Jib structure to be placed aside the line
- Pneumatic cabinet
- Paint / Ink feeding group
- Power and control cabinet
- Control desk with HMI

**Functional features**

Automatic positioning of the head(s)  
 Many parameters can be adjusted / selected by the operator via Control Unit, f.i.:

- Characters dimension (width, compression, height, dot dimension)

Host connection (Ethernet, Profibus or other common industrial fieldbus)

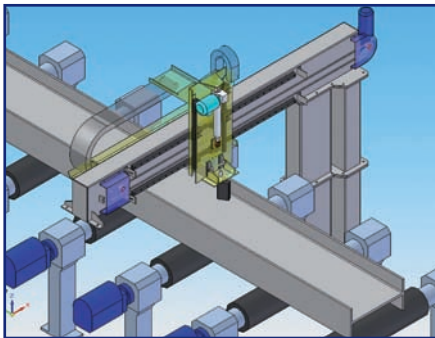
**Optional function**

- Beam speed detection device
- Carriage controlled for no contact, precise positioning of the head(s)
- Beam cleaning device
- Beam guiding systems

**Paint / Ink features**

Paint:solvent or alcohol base  
 Colour: White (basic), black or others available  
 Consumption: approx.10 g for 1000 dots (about 60 chars 70mm high)

Ink: MEK, alcohol based  
 Colour: Black, dark (basic), yellow or white  
 Consumption: up to 100.000 chrs / liter according to the character size



Certif. n° 1235/98



Certif. n° EMS-1724/S

