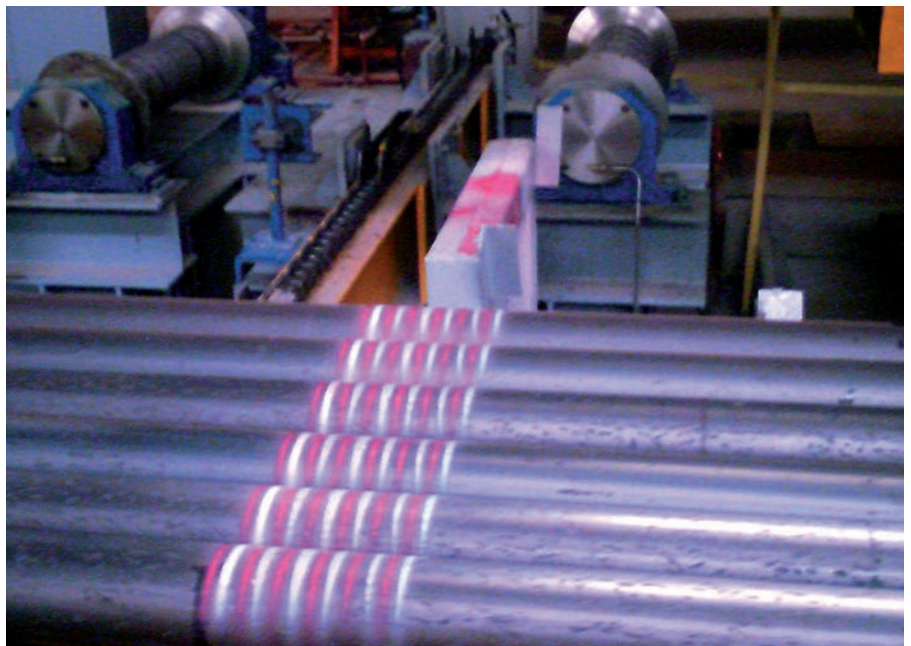
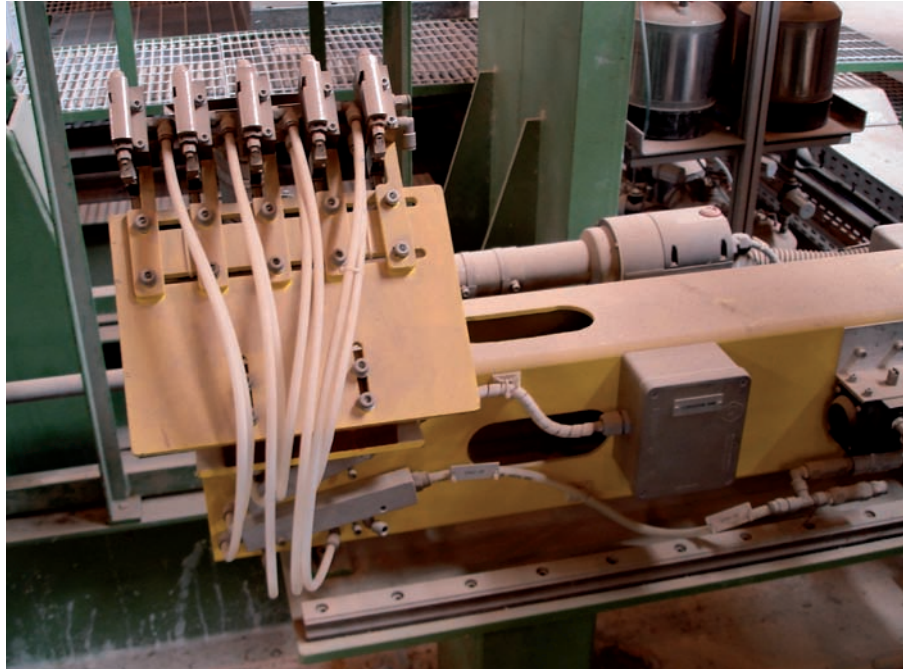


Tema Multi for Coloured bands

This system marks coloured bands on pipes by our TEMA Multi paint / ink marking head where each sprayer marks a different colour; it can be installed as a stand alone device or integrated in the marking machines of the finishing lines (to comply with API specifications).

Main Marking Features

- Cold application
- Static (pipe stopped under marking machine rotates driven by rolls)
- Marking position: circumferential
- Width of bands from 10 mm to 30 mm



System configuration

- Machine structures designed according to line layout:
 - fixed basement aside a the rollin way or under a walking beam
 - carriage installed on a bridge structure crossover the walking beam
- One or more TEMA Multi (number of nozzles depending on customer requirements) marking heads
- Paint preparation panel
- Pneumatic cabinet
- Automatic cleaning system
- Power and control cabinet

Functional features

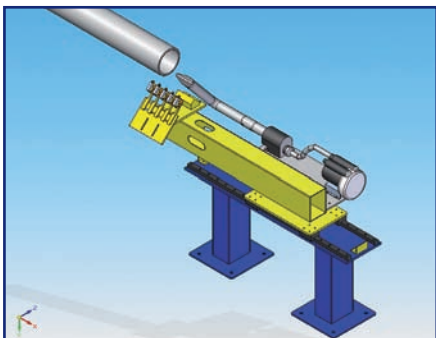
Each band is traced by the TEMA sprayer during pipe rotation
 Automatic adapting to different pipe diameter
 Manual selection of colours used in each sprayer
 Host connection (Ethernet, Profibus or other common industrial fieldbus)

Optional function

- automatic selection of the colour used in each sprayer

Paint / Ink features

Type:
 cold : paint (solvent or alcohol base), ink (MEK or alcohol base)
Colour: various



Certif. n° 1235/98



Certif. n° EMS-1724/S

