

Tema Multi for Pipes

This system marks pipes by our TEMA Multi paint / ink marking head assuring a cost effective solution for high quality marking at high speed, in the production intermediate phase (product tracking) and in the finishing lines (to comply with API specifications).

Different configurations are available to comply with Customer specifications and installation lay out.

Main Marking Features

- Cold and Hot application up to 750 °C
- Static (pipe stopped under marking machine) or on fly (pipe moves on the rolling way under the marking machine)
- Marking position: along the pipe axis
- Symbols: letters, numbers, special characters (logos), Data Matrix code
- Height of symbols from 28 mm to 200 mm, in one or more lines.
- Font based on dot matrix: 7, 9 or 12 dots in height



System configuration

- Machine structures designed according to the line layout:
 - Connected to a pinch roll installed over the roller way (marking on fly)
 - Cantilevered beam (fixed or swivelling) installed aside a roller way / a walking beam for marking process tracking data
 - Bridge crossover the walking beam to mark in the finishing lines
- One or more TEMA Multi marking heads
- Paint preparation cabinet (including circuit for paint recirculation)
- Pneumatic cabinet
- Automatic cleaning system
- Power and control cabinet
- Control desk with HMI
- For hot applications, the system is equipped with a kit for thermal protection

Functional features

Automatic adapting to different pipe diameter

Many parameters can be adjusted / selected by the operator via Control Unit, f.i.:

- Dot dimension (4 - 12 mm, automatically adjusted to pipe temperature)
- Characters dimension (width, compression, height)

Host connection (Ethernet, Profibus or other common industrial fieldbus)

Optional function

- Tools for editing fonts and modifying parameters
- Marking a Data Matrix code readable by a standard reader (combined marking / reading function to achieve automatic tracking of pipes)

Paint / Ink features

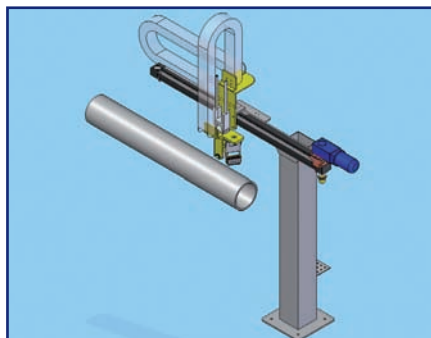
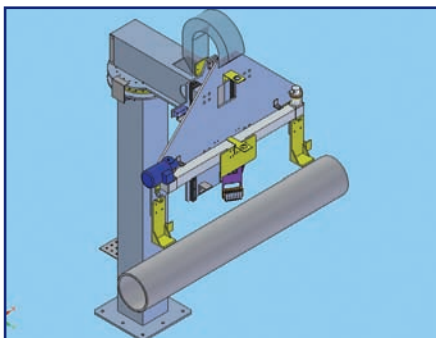
Type:

cold: paint (solvent or alcohol base), ink (MEK or alcohol base)

hot: paint (solvent base)

Colour: white (other colours available for cold applications)

Consumption: approx.10 g for 1000 dots (about 60 chars 70mm high)



Certif. n° 1235/98



Certif. n° EMS-1724/S

