

Tema Multi for Coils Top-Side

This system marks steel and aluminium coils by our TEMA Multi paint/ink marking head assuring a cost effective solution for high quality marking at high speed.

Different configurations are available to comply with Customer specifications and installation lay out.

Main Marking Features

- Cold and Hot application up to 1100 °C
- Coil orientation: axis vertical or horizontal (parallel or perpendicular to coil transport)
- Marking position: on the cylindrical surface (along the coil axis or circumferential) on the flat surface (along a straight or curved line)
- Symbols: letters, numbers, special characters (logos), Data Matrix code
- Height of symbols from 28 mm to 200 mm, in one or more lines.
- Font based on dot matrix: 7, 9 or 12 dots in height



System configuration

- Machine structures designed according to coil orientation and position of data to be marked
- One or more TEMA Multi marking heads
- Paint preparation cabinet (including circuit for paint recirculation)
- Pneumatic cabinet
- Automatic cleaning system
- Power and control cabinet
- Control desk with HMI
- For hot applications, the system is equipped with a kit for thermal protection

Functional features

Automatic adapting to different coil dimension

Many parameters can be adjusted / selected by the operator via Control Unit, f.i.:

- Dot dimension (4 - 12 mm, automatically adjusted to coil temperature)
- Characters dimension (width, compression, height)

Host connection (Ethernet, Profibus or other common industrial fieldbus)

Optional function

- Automatic Skipping of straps
- Tools for editing fonts and modifying parameters
- Marking a *Data Matrix* code readable by a standard reader (combined marking / reading function to achieve automatic tracking of coils)

Paint / Ink features

Type:

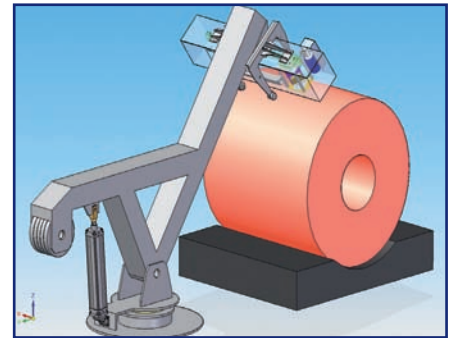
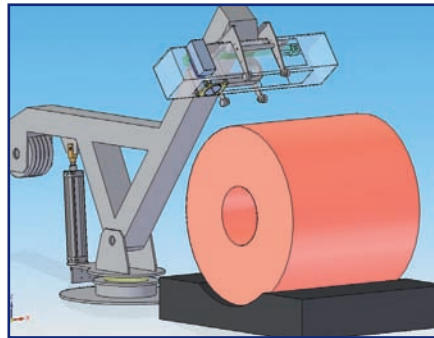
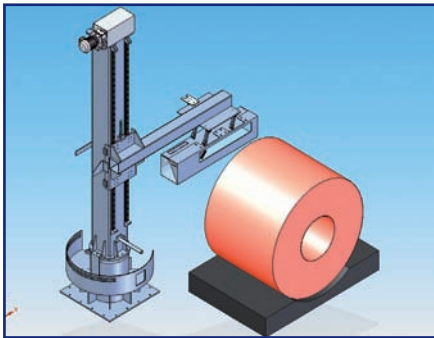
cold: paint (solvent or alcohol base), ink (MEK or alcohol base)

hot: paint (solvent or water base)

cold for re-heating: special paint resisting to re-heating up to 750°C (for aluminium)

Colour: white (other colours available for cold applications)

Consumption: approx.10 g for 1000 dots (about 60 chars 70mm high)



Certif. n° 1235/98



Certif. n° EMS-1724/S

