

WIRE SPRAY FOR BLOOMS

This system marks characters on the surface of hot products (typically blooms), defined by a bright, white line (“handwritten” type) obtained spraying molten metal by a pistol handled by an automatic XY table.

The system assures excellent reliability and markings are very well readable, even in presence of irregular surfaces, also from long distance. Outdoor storage is possible also for long time.

Main Marking Features

Hot application up to 1200 °C

Marking position: typical on the front surface

One or more lines, min. character height 50 mm

Symbols: letters, numbers, special characters (logos)

Standard or OCR fonts

System configuration

Machine structure (with one or more marking heads) available in various configuration:

- Bridge with single or multiple carriages, to be placed across the CC exit line
- Ground basement with single or multiple carriages, to be placed at the end of CC exit line or aside the cooling bed

Integrated cooling system

Pneumatic cabinet

Energizer

Wire dispenser and electronic controller

Thermal protection

Power and Control cabinet

Control desk with HMI

Functional features

Automatic detection of product dimension and position (centering device)

No clamps required

Many parameters can be adjusted / selected by the operator via Control Unit, f.i.:

Characters dimension (width, compression, height)

Host connection (Ethernet, Profibus or other common industrial fieldbus)

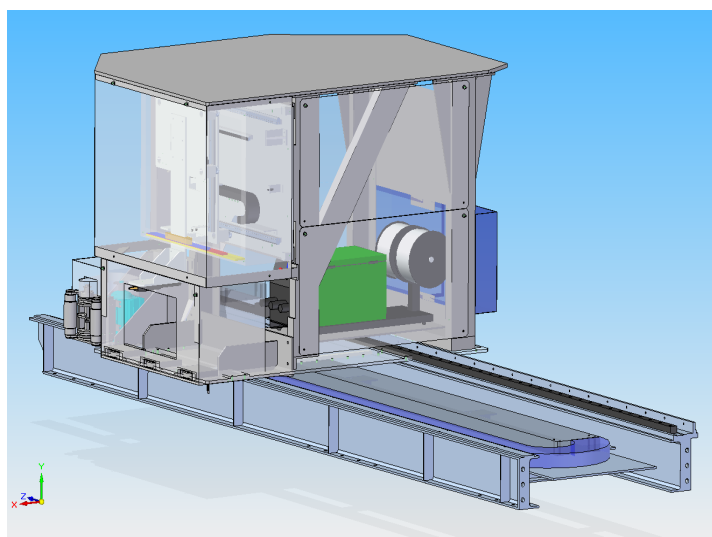
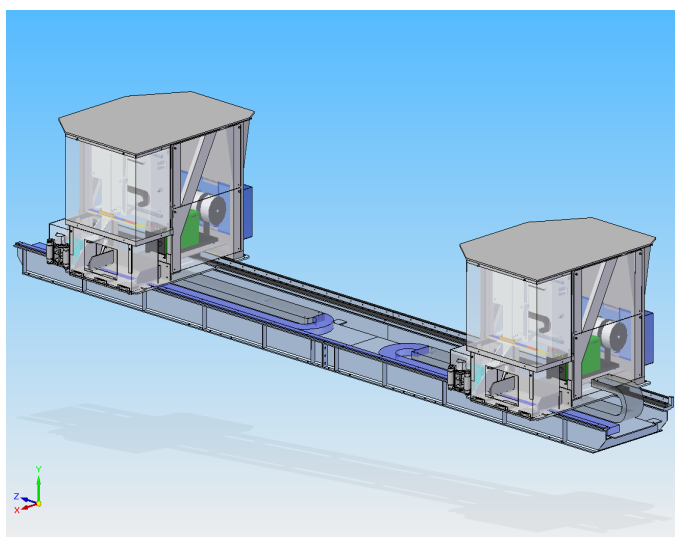
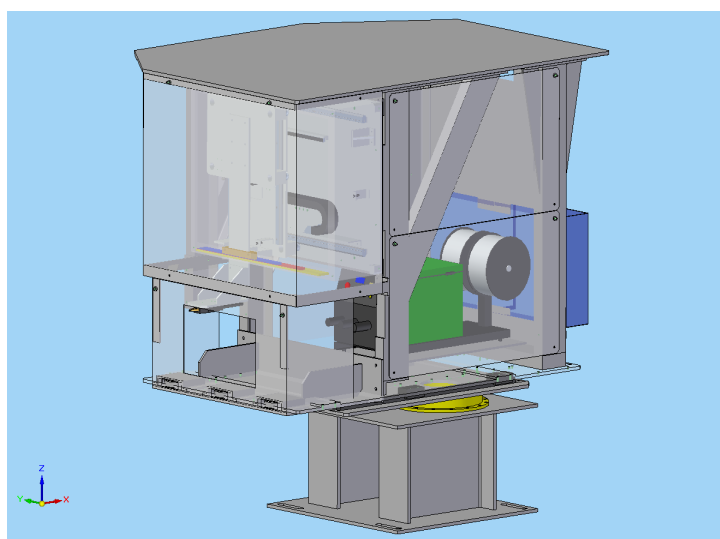
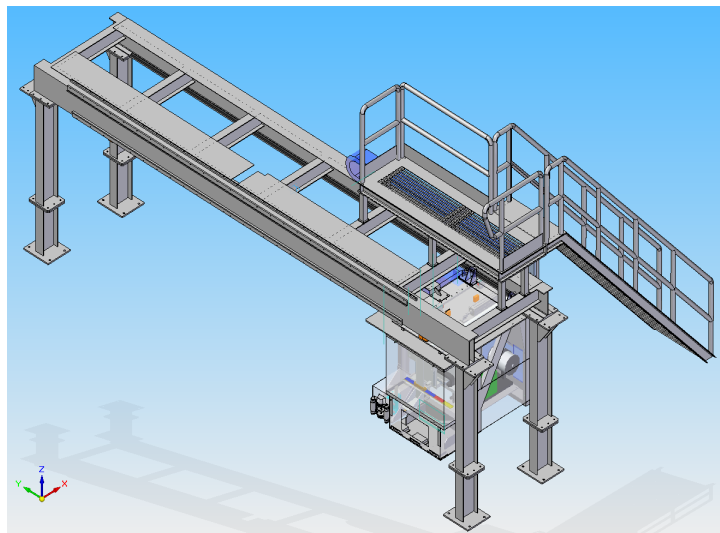


Optional functions :

High pressure water descaler
Mechanical descaler
Using OCR fonts, markings can be automatically read by our AURS system (combined marking / reading function to achieve automatic tracking of billets)

Wire features:

Type: solid aluminium or alumina core wire (others metals available)
Colour: white / yellow
Toxicity: not toxic
Consumption: from 1 to 3 g/character according to size



Green Project S.r.l.
Corso Perrone 47 r - 16152 GENOVA
Tel. +39 010 6048932 – 010 6001802
Fax +39 010 6500189
mail: info@greenproject.it
web: www.greenproject.it



Member of CISQ Federation

RINA
ISO 9001:2000
Certified Quality System

